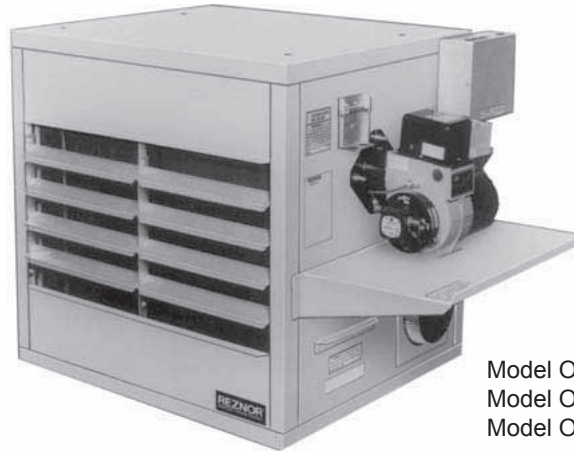


Replacement Parts

IMPORTANT

1. Always include complete heater model and serial number so that any specification change can be considered for parts shipment. It can save time and expense.
2. Specifications are subject to change without notice.
3. We reserve the right to substitute functional replacements.
4. Order either by Kit or Component Part No.

Applies to: **Model OH and
 Model OB Oil-Fired
 Unit Heaters**



Model OH

Model OH has a fan for air delivery;
 Model OB has a blower. Manufacture of
 Model OB was discontinued April 2006.

Index

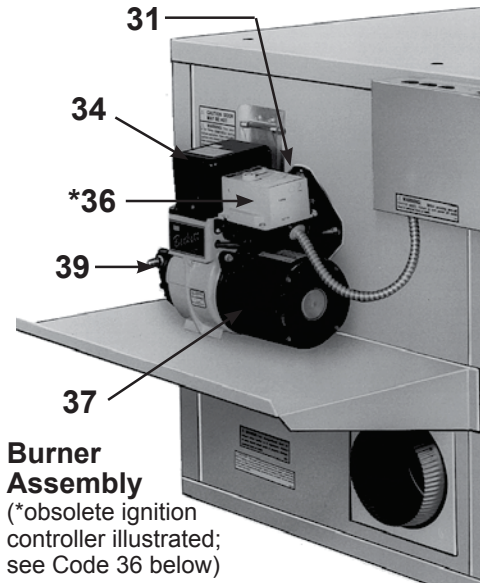
<p>A Air Shutter 4</p> <p>B Backflow Sensor 3 Belt 6 Belt Guard 7 Blocked Vent Switch 3 Blower 6 Blower Mounting 6 Bottom Back Filler 6 Bottom Inner Panel 5 Bottom Outer Panel 5 Burner Assy 4 Burner Motor 4 Burner Panel Assy 5 Bushing 3</p> <p>C Cabinet Parts 5, 6 Cable Clamp 3 Cad Cell Detector and Eye 4 Combustion Air Blower Wheel 4 Combustion Chamber 4 Electrode/Transformer Connectors 4 Corner Post 5, 6 Coupling 4</p> <p>D Combustion Chamber Door Assembly 5 Inner Access Door 4 Door Latch Kit 5 Door Stop 5 Draft Regulator 5</p>	<p>E Electrical Components 3 Electrode Assembly 4 Exhaust Box Cover 4 Exhaust Collar 4</p> <p>F Fan and Limit Control Assembly 3 Fan Blade Assembly 6 Fan/Blower Control 3 Fan Guard 6 Fan & Limit Control Access Panel 5 Fan Panel 6 Front Panel 5</p> <p>G Gasket for Inner Exhaust Box 4 Gasket for Large Inner Access Door 4 Belt Guard 6 Inlet Guard 6</p> <p>H Heat Exchanger/Combustion Chamber 4 Hole Plug 5</p> <p>I Ignition Controller 4 Inlet Guard 7</p> <p>J Junction Box 3</p> <p>L High Limit 3</p>	<p>Super Limit 3 Louver Frame w/Horizontal Louvers 5</p> <p>M Blower Motor 6 Fan Motor 6 Motor Mounting Bracket 7</p> <p>P Paint 7 Pump 3, 4</p> <p>R Rating Plate 2 Relay 3 Retention Head 4</p> <p>S Serial Number 2 Service Tray 5 Blower Sheave 6 Motor Sheave 6 Switch 3</p> <p>T Terminal Block 3 Thermostat 3 Top Back Filler 6 Top Inner Panel 5 Top Outer Panel 5 Transformer 4 Tray 5 Turning Box End 6</p> <p>V Valve 3 View Port Cover 5 Viewport Tube Assembly 4</p>
--	---	---

ADDITIONAL REFERENCES:

- Installation Form I-OH/OB, Models OH and OB
- Replacement Parts for Reznor® Used Oil-Fired Models RA, RAD, and RV, Form P-RA/RAD/RV

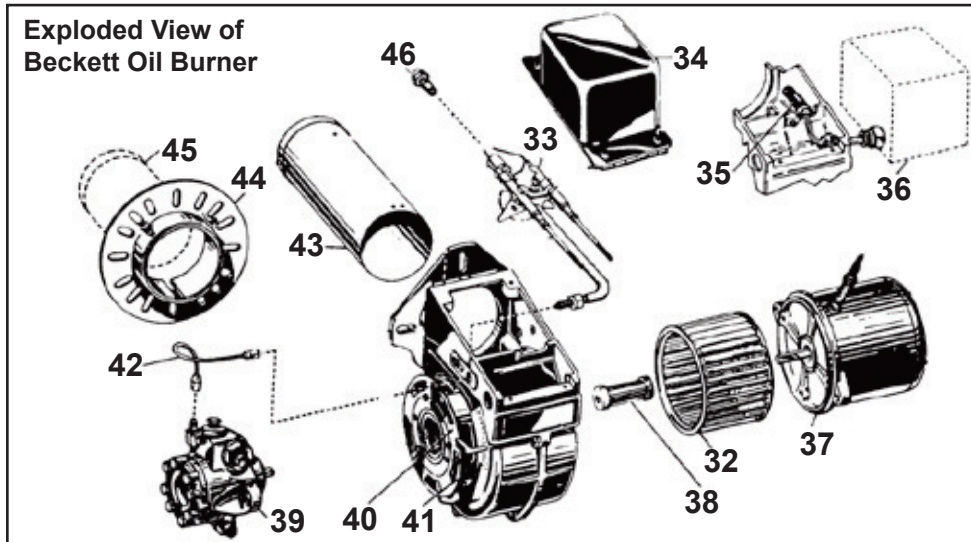
Burner - Models OH and OB

Code	Description	Size			
		95	140	190	
30	Burner Assy 115V (includes Codes 31-46)	207493	207494		
31	Burner Assy Gasket, Beckett #3416	103420			
32	Combustion Air Blower Wheel	41599			
33	Electrode Assembly	59449			
34	Transformer w/Gaskets & Electrode Connectors	220615			
34A	Electrode/Transformer Connectors only (spring-type)	(2) 97033			
35	Cad Cell Detector and Eye	123195			
36	Ignition Controller	262700 (replaces 41604)			
37	Burner Motor	41598			
38	Coupling	41600			
39A	Burner Pump, 1-stage, Beckett 2460	131460			
39B	Burner Pump, 2-stage, Beckett 2583	41601			
**40	Air Shutter	41592			
**41	Air Band	41593			
**42	Connector Tube Assembly	41602			
**43	Air Tube	41607			
**44	Flange	41595			
45	Retention Head	45891	146467	50786	
46	*** Nozzle, Delavan	Units manufactured prior to 6/96	32437	120068	120069
			0.85x80B	1.25x90B	1.65x90B
		Units manufactured beginning 6/96	32437	146816	146815
			0.85x80B	1.25x70B	1.35x70B



** Not stocked at Mercer

*** Always check the nozzle for size and replace with identical nozzle.



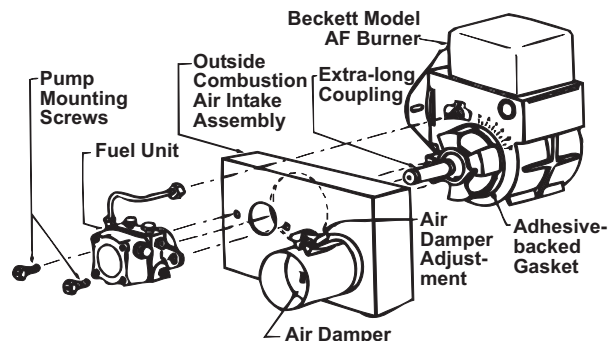
Code 35 - Cad Cell Detector and Eye, P/N 101932



Code 36 - Ignition Controller, P/N 262700



Code 47 - Outside Combustion Air Adapter Kit, P/N 40274 (Same as Option DE1)
NOTE: Not available in Canada



Heat Exchanger/Combustion Chamber - Models OH and OB

Code	Description	Size		
		95	140	190
50	Ht Exchanger/Combustion Chamber Assy (includes 50A-F)	120750	104763	104763
50A	Large Inner Access Door	115140	115140	115140
50B	Replacement Gasket for Large Inner Access Door	120057	120057	120057
50C	Exhaust Collar Plate Assembly	119367	115144	115144
50D	Inner Exhaust Box Cover	115150	115150	115150
50E	Replacement Gasket for Inner Exhaust Box	115151	115151	115151
50F	Viewport Tube Assembly (not illustrated)	104761	104761	104761